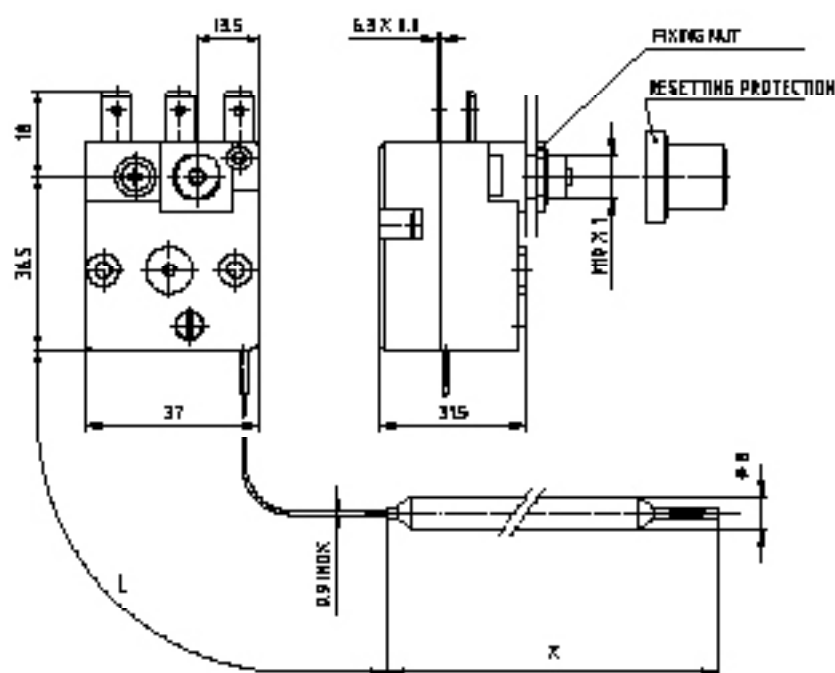




### NOTE

Terminal: P1 common  
 1 NC  
 2 NO (WARNING LIGHT)  
 Ambient temperature: T80  
 Capillary: L from 400 to 3000  
 Sleeve (optional)  
 L min. = 50  
 L max. = L cap. - 100  
 Internal safety until 230°C

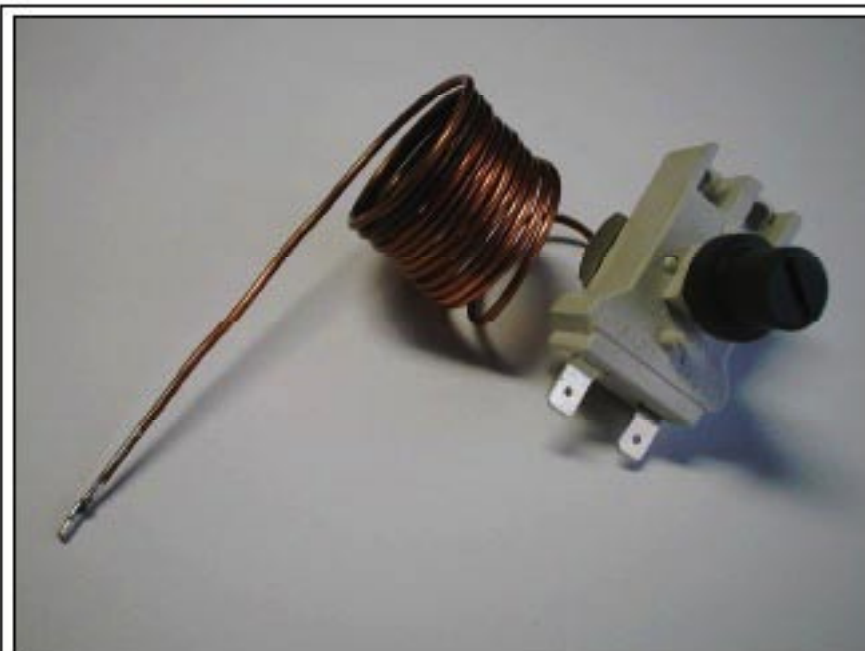


P1/1 10(2,5)A-250V~  
 P1/2 2A-250V~



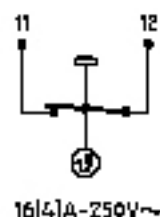
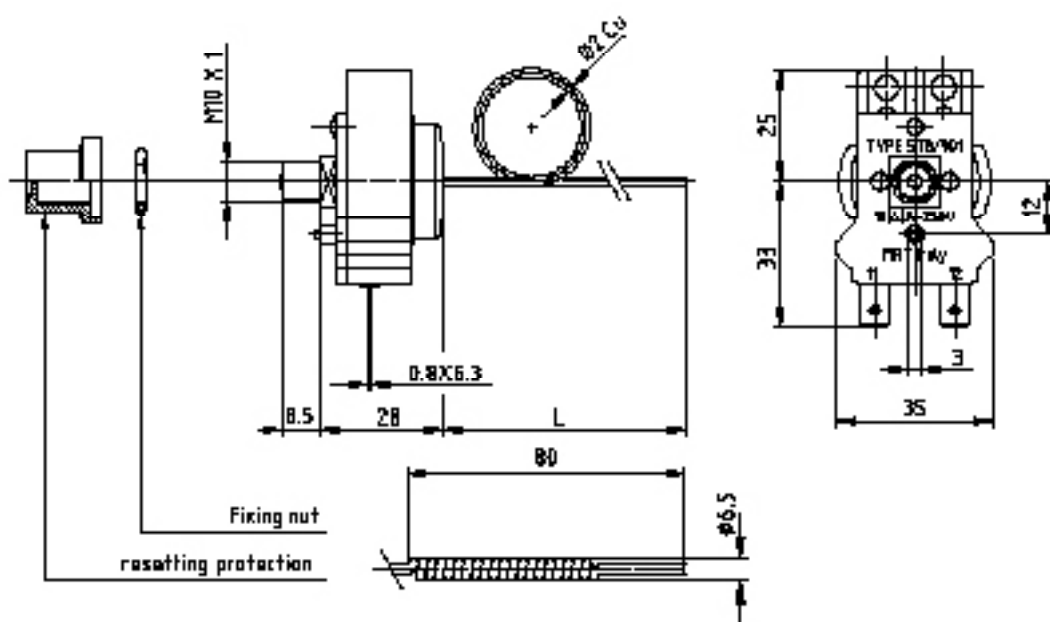
### STB/83

| FIXED CALIBRATION °C | TOLL   | BULB (B)      | APPLICATIONS |
|----------------------|--------|---------------|--------------|
| 45 ÷ 120             | +0 -6  | φ6.5x67 Cu    | Heating      |
| >120 ÷ 130           | +0 -6  | φ6.5x67 Cu    | Various      |
| >130 ÷ 220           | +0 -16 | φ6x58 Inox    | Various      |
| >220 ÷ 230           | +0 -16 | φ3x191 Inox   | Fryers       |
| >230 ÷ 300           | +0 -16 | φ3.3x125 Inox | Cooking      |



### NOTE

Ambient temperature: T55  
 Capillary: L from 400 to 1500  
 Sleeve (optional)  
     L min. = 50  
     L max. = L cap. - 100  
 Internal safety



### STB/901

| FIXED CALIBRATIONS °C | TOLL  | CAPILLARY               | APPLICATIONS |
|-----------------------|-------|-------------------------|--------------|
| 75 + 120              | +0-6  | Straight or spiral form | Heating      |
| >120 + 160            | +0-16 | Straight or spiral form | Various      |