



NOTE

Terminals: P1 common

1 NC

2 NO

 optional

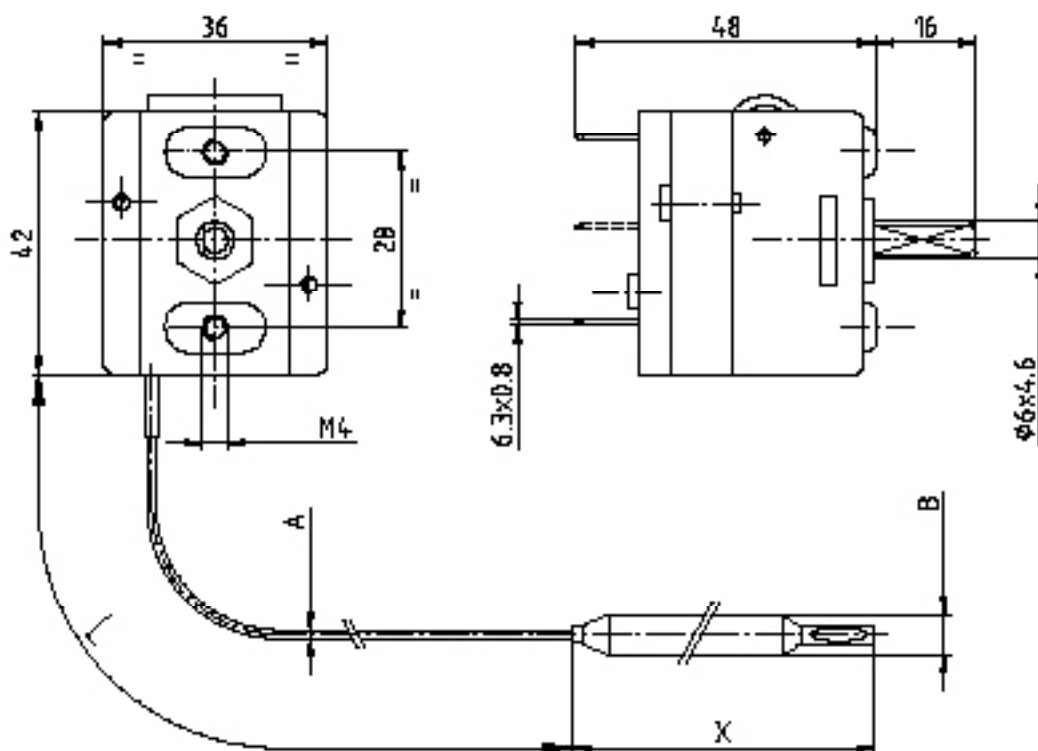
Capillary: L from 400 to 3000

Sleeve (optional):

L min. = 50

L max. = L cap. - 100

Shaft: standard 16 or 23±1



16(4)A - 400V ~



TR/741

RANGE °C	TOLL.	Δ T	T AMB	°< MIN	°< MAX	CAP. (A)	BULB (B)	APPLICATIONS
19÷30.5	±1.5	1.5±1	55	0	315	φ1.3 Cu	φ7x200 Cu	Air conditioning
0÷40	±2	2±1	55	0	270	φ1.3 Cu	φ6x113 Cu	Air conditioning / Heating
30÷90	±3	4±2	80	90	288	φ1.3 Cu	φ6.5x67 Cu	Heating
30÷120	±3	4±2	80	90	315	φ1.3 Cu	φ6x104 Cu	Hydrocleaners/Coffee machines
30÷150	±4	5±2.5	80	90	270	φ1.3 Cu	φ6.5x96 Cu	Hydrocleaners
40÷220	±6	6±3	150	90	315	φ1.3 Cu	φ6.5x66 Cu	Fryers
50÷300	±10	6±4	150	90	315	φ0.9 Inax	φ3x191 Inax	Cooking